

handle with masking plate EMERGENCY-STOP illuminated size 100x 100, for shaft 8x 8, test-0-I, handle size 100mm accessory for 3KD size 3 3KF size 2 and 3



| Model | |
|--|----------------------------------|
| product brand name | SETRON |
| product designation | handle with masking plate |
| design of the product | EMERGENCY OFF |
| design of handle | Red-yellow |
| design of the door lock system | Door interlocking |
| size of cross-section of the shaft of door-coupling rotary operating mechanism | 8x8 mm |
| size format of the masking frame of door-coupling rotary operating mechanism | 100x 100 mm |
| length of handle | 100 mm |
| protection class IP | IP65 |
| suitability for use | for 3KD size 3, 3KF size 2 and 3 |

| Product details | |
|---|-------------------|
| product description | with illumination |
| product component | |
| • extension shaft | No |
| • handle for emergency-OFF function | Yes |
| product feature lockable | Yes |
| display version for switch position indicator | test-0-I |

| Mechanical Design | |
|-------------------|--------|
| height | 198 mm |
| width | 195 mm |
| depth | 105 mm |
| net weight | 236 g |

| Approvals Certificates | | |
|--------------------------|---------------------------|-------------------|
| General Product Approval | Declaration of Conformity | Marine / Shipping |



| other | Environment |
|-------|-------------|
|-------|-------------|

[Miscellaneous](#)

[Confirmation](#)

[Environmental Con-
firmations](#)

Further information

Siemens has decided to exit the Russian market (see here).

<https://press.siemens.com/global/en/pressrelease/siemens-wind-down-russian-business>

Siemens is working on the renewal of the current EAC certificates.

Please contact your local Siemens office on the status of validity of the EAC certification if you intend to import or offer to supply these products to an EAC relevant market (other than the sanctioned EAEU member states Russia or Belarus).

Information on the packaging

<https://support.industry.siemens.com/cs/ww/en/view/109813875>

Information- and Downloadcenter (Catalogs, Brochures,...)

<http://www.siemens.com/lowvoltage/catalogs>

Industry Mall (Online ordering system)

<https://mall.industry.siemens.com/mall/en/en/Catalog/product?mlfb=8UD1841-2CF05>

Service&Support (Manuals, Certificates, Characteristics, FAQs,...)

<https://support.industry.siemens.com/cs/ww/en/ps/8UD1841-2CF05>

Image database (product images, 2D dimension drawings, 3D models, device circuit diagrams, ...)

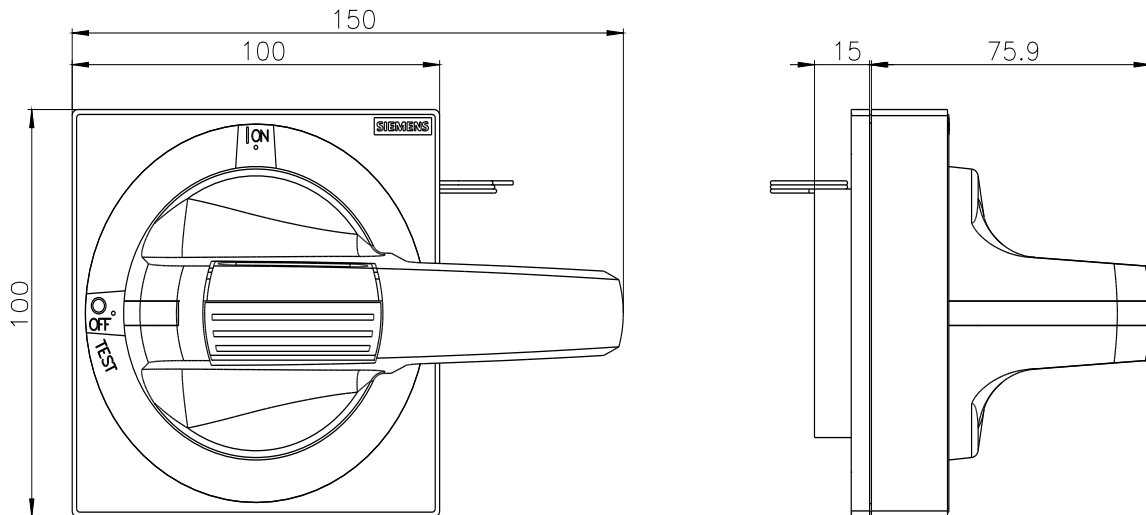
http://www.automation.siemens.com/bilddb/cax_en.aspx?mlfb=8UD1841-2CF05

CAX-Online-Generator

<http://www.siemens.com/cax>

Tender specifications

<http://www.siemens.com/specifications>



last modified:

7/29/2022

